



Indian Institute of Technology Kanpur

Department of Mechanical Engineering

Dr. Bishakh Bhattacharya

Professor

Telephone-(+) 91- 512-259-7824

Fax- (+) 91-512-259-7408

Email: bishakh@iitk.ac.in

Enquiry No.: IITKME/BB/2018/Torus

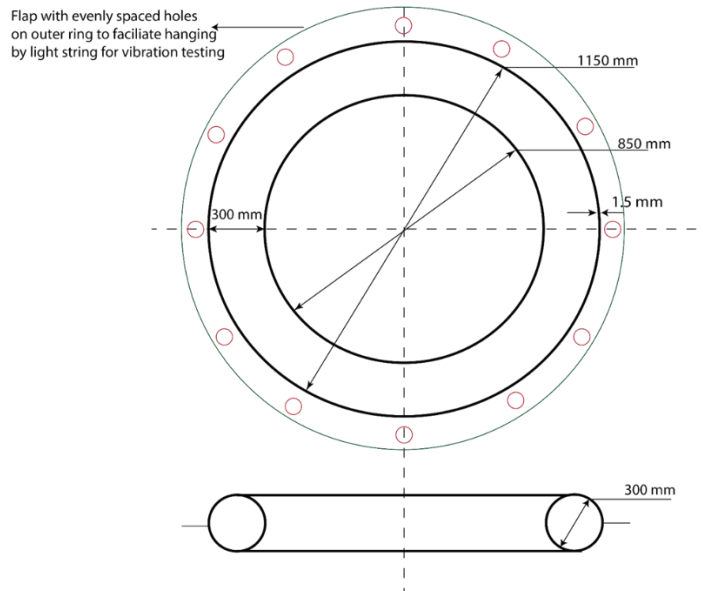
Opening Date: 01/03/2018

Closing Date: 28/03/2018

NOTICE INVITING QUOTATION

Sealed Quotations are invited for an Inflatable Torus structure of the following specifications:

- Viton Rubber coated (on both side) with Kevlar fabric
OD: 1150 mm, ID 850 mm, Tube Diameter: 300 mm
- Pressure rating: 2.5 psi
- We also require Inflation / deflation valve or charging valve as well as safety relief valve and a pressure gauge for measurement and an inflation system for filling air
- Also extra sample specimen of the size 40 x 40 cm – 03 Nos required.



Representation picture only

General terms and conditions of purchase:

1. All quotation must reach undersigned before or on 28/03/2018 at 15:00 Hrs.
2. Quotation must be valid for 60 days.
3. Delivery period should not be more than 75 days.
4. The supplier must have supplied similar product to any of the IITs or IISc. (details must be submitted for reference).
5. Minimum Warranty of 1 year at least. Longer warranty period preferred.

6. Quotation should carry proper certifications like proprietary certificate, authorization certificate from manufacturer, etc.
7. Maximum educational discount should be offered wherever applicable.
8. Testing and training of the product onsite is mandatory.
9. Mention F.O.R. destination or C.I.F. (New Delhi) prices separately if requires import.
10. The Quote should cover insurance and transport up to Kanpur.
11. Concessional rate of GST (@ 5%) will be applicable with reference to Notification No. 45/2017 Central Tax (Rate) dated 14/11/2017. We will provide relevant certificate for this purpose. On import items for research purpose presently the GST applicable is 0% (Zero). DSIR certificate along with CDEC has to be submitted for availing concession. Vendor should use these GST rates in their quotation.
12. Payment term,
 - a) For foreign currency through LC.
 - b) For Rupees payment 90% on delivery & 10% after satisfactory using /working.
 - c) Advance payment up to 100% against bank guarantee.
13. Please do mention tender number clearly on the envelope.
14. The institute is exempted for payment of Excise duty under notification No. 10/97 & partially custom duty (@5.15%), under notification 51/96 and a road permit will be provided, if applicable. The Concessional Form 'C/D' have been abolished w. e. f. Apr 01, 2007.
15. The indenter reserves the right to withhold placement of final order. The right to reject all or any of the quotations and to split up the requirements or relax any or all of the above conditions without assigning any reason is reserved.

Your early response in this matter would be highly appreciated.

Sincerely,

Dr. Bishakh Bhattacharya

Professor

Department of Mechanical Engineering

Indian Institute of Technology Kanpur, Kanpur- 208016