



Indian Institute of Technology, Kanpur

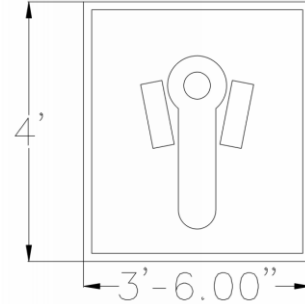
Environmental Engineering and Management
Department of Civil Engineering
IIT Kanpur - 208016, INDIA

Dr. Vinod Tare
Professor

Enquiry No.: IITK/CE/EEM/2015-16/MM/02
Last Date: February 15 , 2016

February 3, 2016

Sealed quotations is invited for supply of FRP Toilet Pans as per following specifications/drawings:



Kindly quote with following details:

1. Rate per piece
2. Thickness
3. Weight per piece

A sample piece can be seen in the office of the undersigned.

Other Terms & Conditions:

- Warranty/Guarantee should be clearly mentioned.
- Prices should be on FOR Allahabad & should include the dismantling and installation charges as per the requirement.
- The indenter reserves the right to withhold placement of final order. The right to reject all or any of the quotations and to split up the requirements or relax any or all of the above conditions without assigning any reason.
- Send your quotation in a sealed envelope with enquiry number and name of the item at the top of the envelope.
- The quotation should reach at the following address on or before 12:00 Noon of February 15, 2016.

Dr Vinod Tare
Professor
Department of Civil Engineering
IIT Kanpur – 208016
Uttar Pradesh

(Vinod Tare)